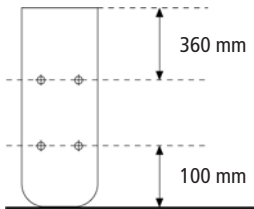
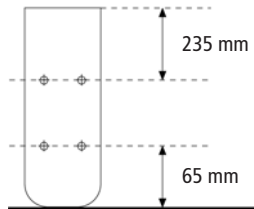


## OPTIONEN / OPTIONS

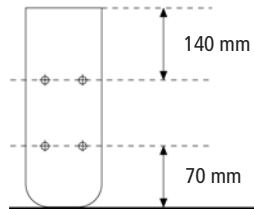
**Ortlieb  
Back-Roller, Bike-Shopper**



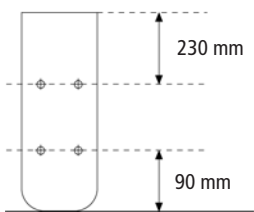
**Ortlieb  
Bike-Packer**



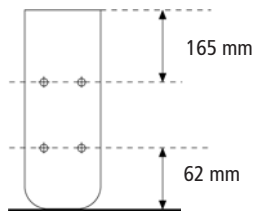
**Ortlieb  
Bike-Tourer**



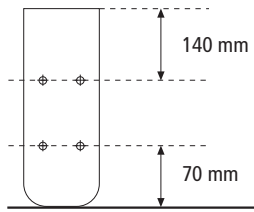
**Ortlieb  
Front-Roller**



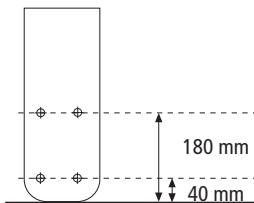
**Ortlieb  
Sport-Packer**



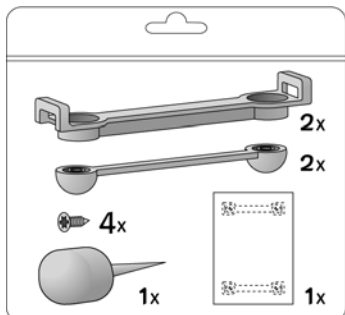
**Ortlieb  
Velo-Shopper**



**Ortlieb  
Downtown**



## ACCESSORIES



= #/Art.-Nr. E 150

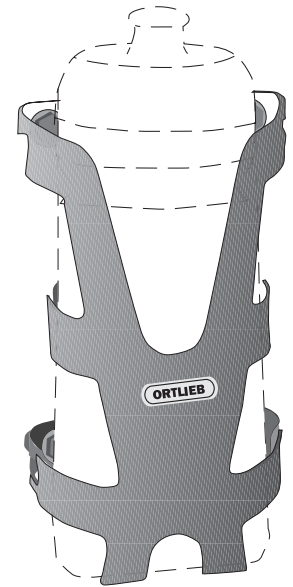
= #/Art.-Nr. F 91 S

= #/Art.-Nr. F 9121

## FLASCHENHALTER BOTTLE CAGE

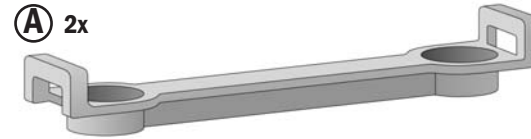
**ORTLIEB** WATERPROOF

- DE **MONTAGEANWEISUNG:**
- EN **ASSEMBLY INSTRUCTIONS:**
- FR **INSTRUCTIONS DE MONTAGE:**
- IT **ISTRUZIONI DI MONTAGGIO:**
- NL **MONTAGE HANDLEIDING:**
- DK **MONTERINGSVEJLEDNING:**
- ES **INSTRUCCIONES DE MONTAJE:**
- SE **MONTERINGSANVISNING:**
- NO **MONTERINGSANVISNING:**
- FI **ASENNUSOHJEET:**
- PL **INSTRUKCJA MONTAZU:**
- JP **装着方法**



INHALT:  
CONTENTS:  
CONTENU:  
CONTENUTO:  
INHOUD:  
INDHOLD:  
CONTENIDO:  
INNEHÅLL:  
INNHOLD:  
SISÄLLYS:  
ZAWARTOSC:  
内容物

Ⓐ 2x



Ⓑ 2x



Ⓒ 4x



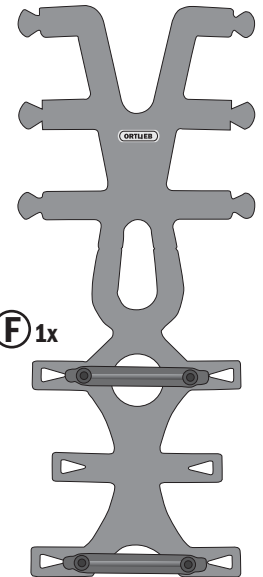
Ⓔ 1x



Ⓓ 1x



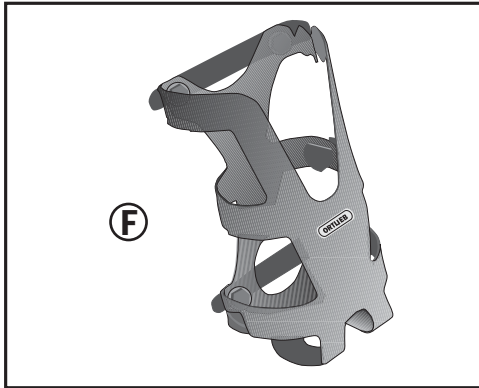
Ⓕ 1x



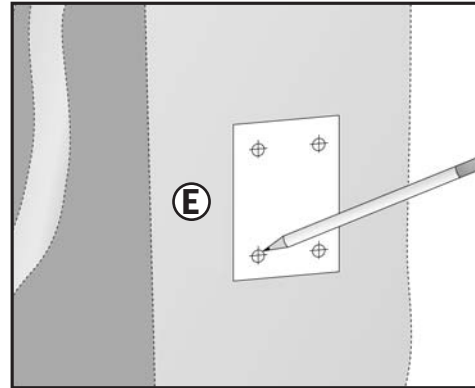
[www.ortlieb.com](http://www.ortlieb.com)

WA008.2712

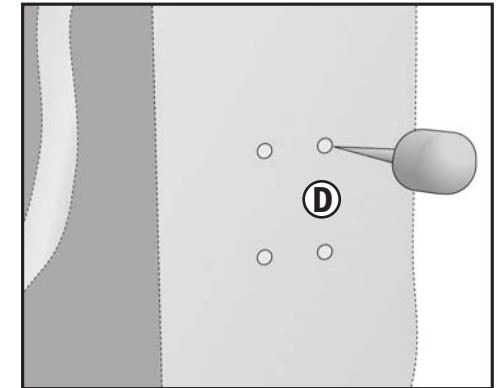
1.



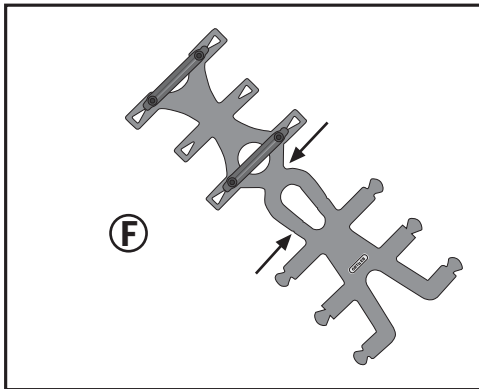
2.



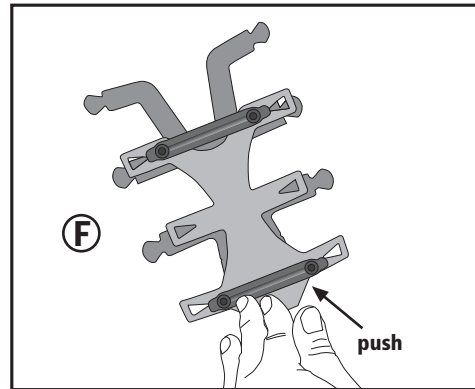
2.1



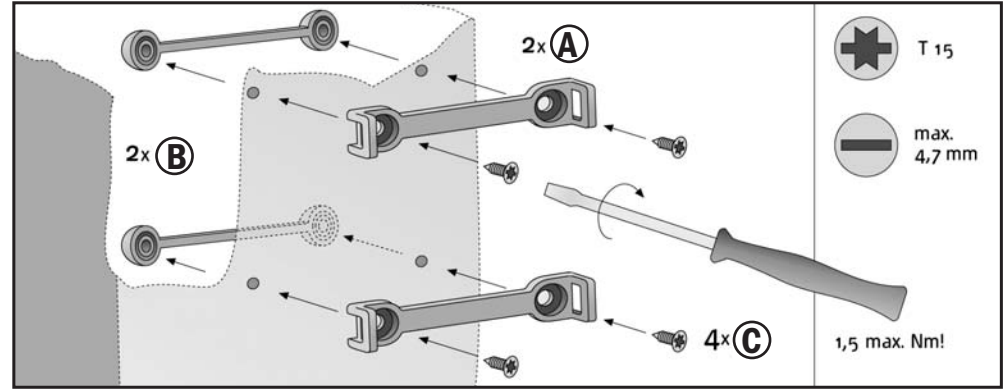
1.1



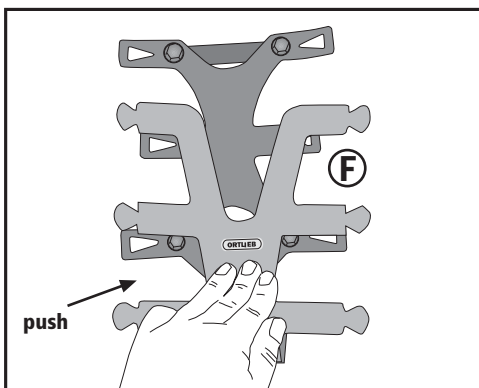
1.2



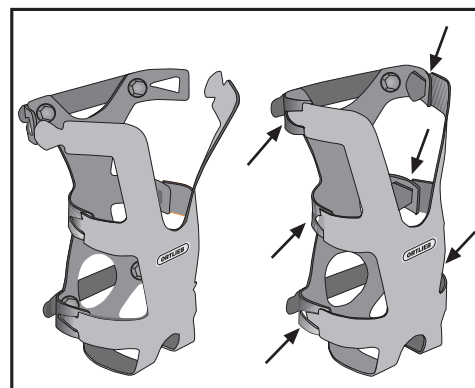
2.2



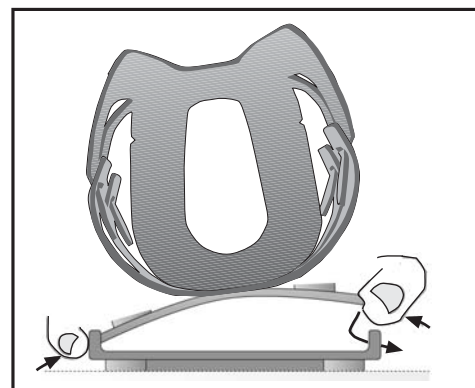
1.3



1.4



2.3



2.4

