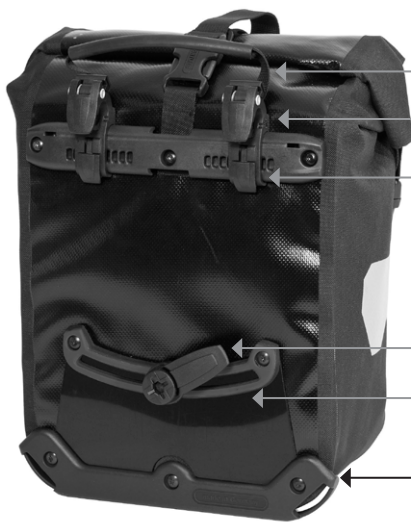


FRONT-ROLLER CLASSIC

Lowrider or rear pannier (pair) with QL2.1 system



- Additional closure with buckle and D-ring (when the bag is carried with the shoulder strap)
- Buckles for closing the rolling closure at the top or for attaching the shoulder strap
- High-quality 3M Scotchlite reflector
- Shoulder strap with padding for comfortable carrying or for fixing to the hook



- Release handle for mounting and releasing the QL2.1 system
- Automatically locking QL2.1 hooks with 16 mm diameter
- Exchangeable hook inserts in sizes 8, 10 and 12 mm
- Slidable and rotatable hook (15° steps) with anti-scratch function
- Hook rail made of two-component synthetic with anti-scratch function
- Edge protector with slots for mounting the ORTLIEB carrying system

Height cm/in.	Width cm/in.	Depth cm/in.	Vol. l/cu.in.	Weight g/oz.
30/11,8	25/9,8	14/5,5	25/1526 (pair)	1590/56,1 (pair)

- Classical pannier (pair) with roll closure
 - Sides of PS 490 nylon material, front and back of PD 620
 - QL2.1 system for racks up to 16 mm
 - 20 mm hook available as separate accessory (e.g. for e-bikes)
 - Including reduction pieces for tube diameters 8, 10 and 12 mm; with anti-scratch function reducing abrasions on rack
 - Top QL hooks and lower sliding hook adjustable without requiring any tools
 - Lower hook rail made of two-component „hard-soft“ synthetic reduces abrasions on carrier
 - Including integrated inner pocket and shoulder strap
 - Can be used individually or as pairs for the rear or front rack (low-rider)
 - Can be combined with the ORTLIEB Rack-Pack
 - Ideal for use on children's/youth bicycles
 - Highly reflective Scotchlite reflector
 - Simultaneous use of ORTLIEB Travel-Biker or Trunk-Bag possible
 - Comfortable to carry (also with shoulder strap)
 - Can be easily cleaned inside
 - Optional accessories: ORTLIEB carrying system, outer pocket/s size S, mesh pocket, bottle cage, QL2.1 hook 20 mm
- Panniers come as a pair with 2 shoulder straps and reduction inserts for 8, 10 and 12 mm (two pairs per size)
- Note: In order to meet standard IP64 (6=dustproof, 4=protected against splash water coming from all directions) the closure must be rolled 3-4 times.

PRODUCT-INFO

Please find information on IP symbols on our info sheet or at www.ortlieb.com/ip-symbols

FRClassic-12_2014