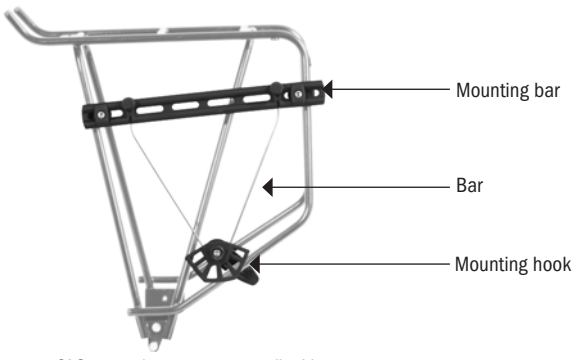
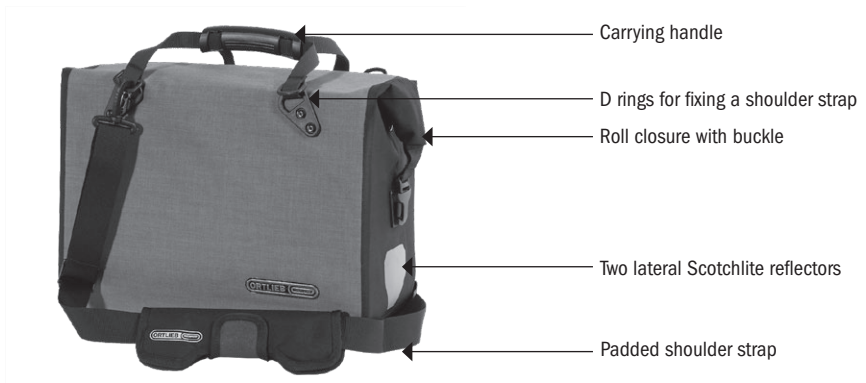


OFFICE-BAG QL3

Bike briefcase with QL3 system and roll closure



QL3 mounting components (incl.)



Size	Dimensions	Height cm/in.	Width cm/in.	Depth cm/in.	Vol. l/cu.in.	Weight g/oz.
L/PS36C	outer	30/11.8	40/15.7	17/6.7	21/1282	1750/61.8
	inner	29/11.4	39/15.4	15/5.9	21/1282	
L/PD620	outer	30/11.8	40/15.7	17/6.7	21/1282	1920/67.5
	inner	29/11.4	39/15.4	15/5.9	21/1282	

- Waterproof brief case with roll closure and Quick-Lock3 mounting system
 - Single-handed mounting and removal of the bag
 - Fixing components are mounted to the rack
 - Flat fixing elements ensure plane reverse side of bag
 - Height and angle of bag individually adjustable
 - Lower mounting hook rotatable
 - Two strong 3M Scotchlite reflectors
 - Reflective ORTLIEB logo on front (except PD620 fabric in colour silver)
 - Size ideal for 2 large office files, cell phone etc.
 - Suitable as laptop bag with padded ORTLIEB notebook sleeve size 13.3" or 15.4" (notebook sleeves available as optional accessories)
 - Inner compartments with pockets
 - Carrying handle and padded removable shoulder strap
 - Attention: remove shoulder strap and stow away inside bag prior to biking
- Bag comes with inner compartment, padded shoulder strap and QL3 mounting components

Note: In order to meet standard IP64 (6=dustproof, 4=protected against splash water coming from all directions) the roll closure must be rolled at least 3-4 times.

PRODUCT-INFO

Please find information on IP symbols on our info sheet or at www.ortlieb.com/ip-symbols

officebag_QL3_06_2013