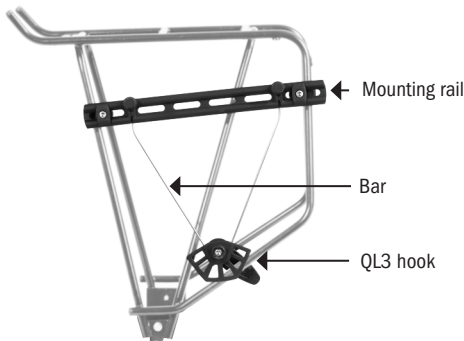


VARIO QL3

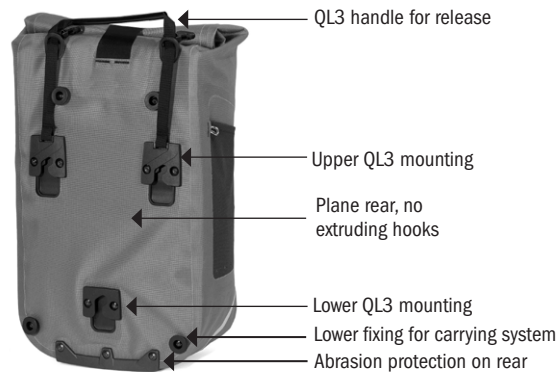
Backpack with Quick-Lock3 rack mounting



Application: carrying system mounted



QL3 mounting elements (incl.)



Application: pack for mounting to rack, carrying system demounted

Height cm/in.	Width cm/in.	Depth cm/in.	Vol. l/cu.in.	Weight g/oz.
50/19.7	28/11	20/7.9	20/1220	1370/48.3

- Waterproof backpack with roll closure and Quick-Lock3 mounting system
- Application as pannier and backpack
- Tear and abrasion resistant nylon fabric
- Padded carrying system with chest and waist strap can be stowed away in the zippered front pocket
- Quick and simple fixing of carrying system to rear of bag
- Clean uncluttered back of bag
- Mounting compatible with racks up to 10 mm tube diameter (series version)
- Mounting set for tube diameter up to 14 mm optionally available (art. code E 190)
- 2 lateral neoprene outer pockets (not waterproof)
- Integrated fixing for bike helmet
- Size fits DIN A4 documents and 15,4" notebooks
- Inner pocket
- 2 reflectors
- Optional accessories: Notebook Sleeve, mounting set for second bike (art. Nr. E 175), QL3 mounting clamps 11-14 mm (art. code E 190)

Backpack comes with QL3 mounting, carrying system, helmet fixing

Note: In order to meet standard IP64 (6=dustproof, 4=protected against splash water coming from all directions) the roll closure must be rolled at least 3-4 times.

Please find information on IP symbols on our info sheet or at www.ortlieb.com/ip-symbols

PRODUCT-INFO

VarioQL3-01_2015